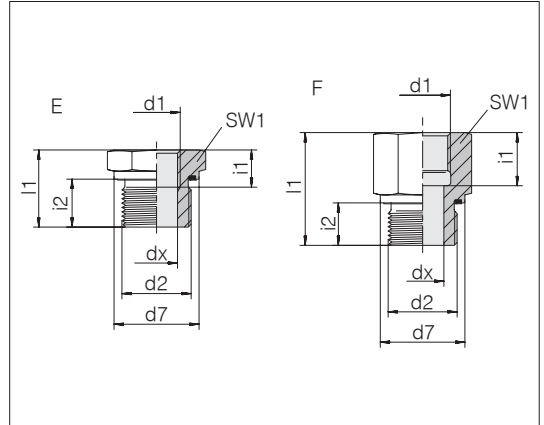


Thread reducing couplings

Male thread: BSPP thread, cylindrical
 Threaded stud: ISO 1179-2 Form E
 Sealing type: Profile sealing ring PEFLEX
 Sealing material: Standard NBR



Male thread d2	Female thread d1	Pressure	d7	dx	l1	SW1	i1	i2	Style	Nm -10 %	kg/100 ca.	Order-No.	Designation
G 1/8 A	G 1/4	PN 630	13.9	4	32.5	19	17	8	F	20	4.2	1149012000	GP-SDS-G1/8E-IG1/4
G 1/8 A	G 3/8	PN 630	13.9	4	33.5	24	17	8	F	20	6.8	1149002000	GP-SDS-G1/8E-IG3/8
G 1/4 A	G 1/8	PN 630	18.9	5	31.5	19	12	12	F	60	4.6	1149052000	GP-SDS-G1/4E-IG1/8
G 1/4 A	G 3/8	PN 630	18.9	5	37.5	24	17	12	F	60	7.3	1149042000	GP-SDS-G1/4E-IG3/8
G 1/4 A	G 1/2	PN 630	18.9	5	41.5	30	20	12	F	60	12.4	1149032000	GP-SDS-G1/4E-IG1/2
G 1/4 A	G 3/4	PN 630	18.9	5	44.5	36	22	12	F	60	18.5	1149022000	GP-SDS-G1/4E-IG3/4
G 3/8 A	G 1/8	PN 630	21.9	8.5	22.5	22	8	12	E	90	3.8	1149092000	GP-SDS-G3/8E-IG1/8
G 3/8 A	G 1/4	PN 630	21.9	8	37.5	22	17	12	F	90	7.2	1149082000	GP-SDS-G3/8E-IG1/4
G 3/8 A	G 1/2	PN 630	21.9	8	42.5	30	20	12	F	90	13.2	1149072000	GP-SDS-G3/8E-IG1/2
G 3/8 A	G 3/4	PN 400	21.9	8	45.5	36	22	12	F	90	19.1	1149062000	GP-SDS-G3/8E-IG3/4
G 1/2 A	G 1/8	PN 630	26.9	8.5	24	27	8	14	E	150	6.5	1149152000	GP-SDS-G1/2E-IG1/8
G 1/2 A	G 1/4	PN 630	26.9	11.5	24	27	12	14	E	150	5.6	1149142000	GP-SDS-G1/2E-IG1/4
G 1/2 A	G 3/8	PN 630	26.9	12	37.5	27	17	14	F	150	9.7	1149132000	GP-SDS-G1/2E-IG3/8
G 1/2 A	G 1/2	PN 630	26.9	12	42	30	20	14	F	150	12.3	1149402000	GP-SDS-G1/2E-IG1/2
G 1/2 A	G 3/4	PN 400	26.9	12	47.5	36	22	14	F	150	19.4	1149122000	GP-SDS-G1/2E-IG3/4
G 1/2 A	G 1	PN 400	26.9	12	50.5	41	24.5	14	F	150	23.7	1149112000	GP-SDS-G1/2E-IG1
G 1/2 A	G 1 1/4	PN 400	26.9	12	54.5	55	26.5	14	F	150	50.3	1149102000	GP-SDS-G1/2E-IG11/4
G 3/4 A	G 1/4	PN 400	31.9	11.5	26	32	12	16	E	200	10.1	1149212000	GP-SDS-G3/4E-IG1/4
G 3/4 A	G 3/8	PN 400	31.9	15	26	32	12	16	E	200	8.5	1149202000	GP-SDS-G3/4E-IG3/8
G 3/4 A	G 1/2	PN 400	31.9	16	42.5	32	20	16	F	200	15.0	1149192000	GP-SDS-G3/4E-IG1/2
G 3/4 A	G 1	PN 400	31.9	16	52.5	41	24.5	16	F	200	24.7	1149182000	GP-SDS-G3/4E-IG1
G 3/4 A	G 1 1/4	PN 400	31.9	16	56.5	55	26.5	16	F	200	51.4	1149172000	GP-SDS-G3/4E-IG11/4
G 3/4 A	G 1 1/2	PN 315	31.9	16	58.5	60	28.5	16	F	200	59.6	1149162000	GP-SDS-G3/4E-IG11/2

Other sizes on request.

Thread reducing adapters with metric threads available upon request.

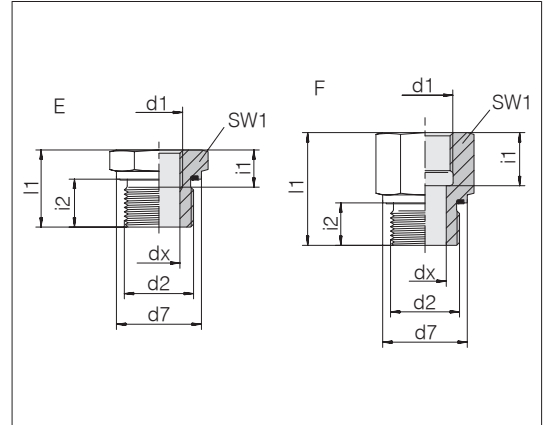
Example for comp. : R1/8EDX1/4

Continued on following page



Thread reducing couplings

Male thread: BSPP thread, cylindrical
 Threaded stud: ISO 1179-2 Form E
 Sealing type: Profile sealing ring PEFLEX
 Sealing material: Standard NBR



Male thread d2	Female thread d1	Pressure	d7	dx	l1	SW1	i1	i2	Style	Nm -10 %	kg/100 ca.	Order-No.	Designation
G 1 A	G 1/4	PN 400	39.9	11.5	29	41	12	18	E	250	19.3	1149272000	GP-SDS-G1E-IG1/4
G 1 A	G 3/8	PN 400	39.9	15	29	41	12	18	E	250	17.8	1149262000	GP-SDS-G1E-IG3/8
G 1 A	G 1/2	PN 400	39.9	19	29	41	14	18	E	250	15.2	1149252000	GP-SDS-G1E-IG1/2
G 1 A	G 3/4	PN 400	39.9	20	49	41	22	18	F	250	28.6	1149242000	GP-SDS-G1E-IG3/4
G 1 A	G 1 1/4	PN 400	39.9	20	59	55	26.5	18	F	250	54.9	1149232000	GP-SDS-G1E-IG11/4
G 1 A	G 1 1/2	PN 315	39.9	20	61	60	28.5	18	F	250	62.6	1149222000	GP-SDS-G1E-IG11/2
G 1 1/4 A	G 1/2	PN 400	49.9	19	32	50	14	20	E	500	30.9	1149312000	GP-SDS-G11/4E-IG1/2
G 1 1/4 A	G 3/4	PN 400	49.9	24	32	50	16	20	E	500	26.0	1149302000	GP-SDS-G11/4E-IG3/4
G 1 1/4 A	G 1	PN 400	49.9	25	54	50	24.5	20	F	500	48.2	1149292000	GP-SDS-G11/4E-IG1
G 1 1/4 A	G 1 1/2	PN 315	49.9	25	62	60	28.5	20	F	500	65.9	1149282000	GP-SDS-G11/4E-IG11/2
G 1 1/2 A	G 1/2	PN 315	54.9	19	36	55	14	22	E	600	46.7	1149352000	GP-SDS-G11/2E-IG1/2
G 1 1/2 A	G 3/4	PN 315	54.9	24	36	55	16	22	E	600	41.6	1149342000	GP-SDS-G11/2E-IG3/4
G 1 1/2 A	G 1	PN 315	54.9	30.5	36	55	18	22	E	600	33.6	1149332000	GP-SDS-G11/2E-IG1
G 1 1/2 A	G 1 1/4	PN 315	54.9	32	60	55	26.5	22	F	600	55.3	1149322000	GP-SDS-G11/2E-IG11/4
G 2 A	G 1/2	PN 160	74.9	19	45	75	14	24	E	700	117.1	1149682000	GP-SDS-G2E-IG1/2
G 2 A	G 1	PN 160	74.9	30.5	45	75	18	24	E	700	101.9	1149692000	GP-SDS-G2E-IG1
G 2 A	G 1 1/4	PN 160	74.9	39	45	75	26.5	24	E	700	85.2	1149702000	GP-SDS-G2E-IG11/4
G 2 A	G 1 1/2	PN 160	74.9	40	65	75	28.5	24	F	700	131.0	1149672000	GP-SDS-G2E-IG11/2

Other sizes on request.